

SIMON®

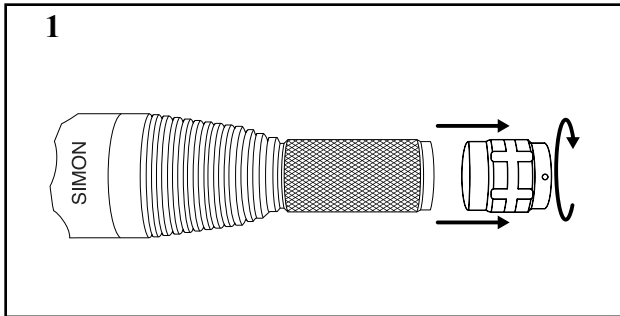
Cree LED Flashlight DU2 Instructions

Part # SU2FLK798192014

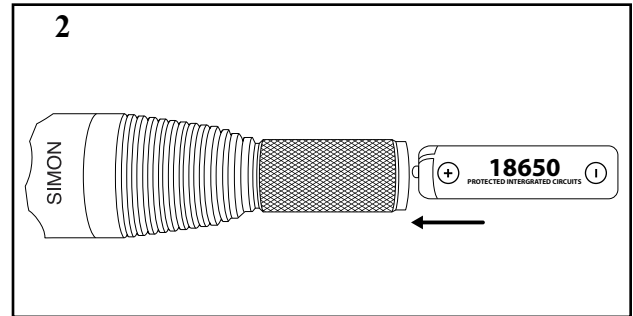
Read Instructions Completely First! Before You Load Any Battery

Preferred Battery: Simon Panasonic 18650 with (PIC) 3400 mAh Rechargeable Lithium Ion.

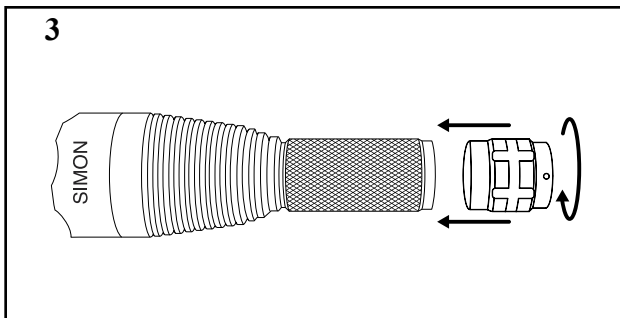
Note: Not all batteries are manufactured equally, this is why Simon Flashlights has tested several brands available and the Panasonic 18650 with (PIC) is the Only battery that we recommend for long lasting durability and use. Minimum Battery Requirements - 18650 Lithium Ion Battery with Protected Intergrated Circuits (PIC) 2600 mAh minimum capacity.



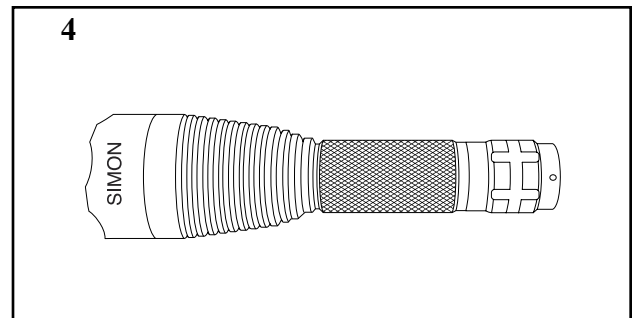
1. Remove Rear trigger switch tail cap by unscrewing the rear of the Simon Cree DU2 LED Flashlight.



2. Insert your charged 18650 Battery with (PIC) Positive side towards the head of the flashlight.



3. Screw the Rear butt Trigger Switch Cap back on.



4. Turn the Simon DU2 LED Flashlight On/Off by pressing the Rear Butt Trigger Switch ALL THE WAY DOWN. After you press the switch and the flashlight is ON you have the option to use other modes that the Simon DU2 flashlight has to offer.

This is the Recommended 18650 Battery for the DU2

<http://www.amazon.com/3400mAh-PROTECTED-Panasonic-Rechargeable-Battery/dp/B00TCRZDJA/>

You just have to SOFT Touch by pressing lightly on the trigger switch located at the rear of the flashlight. (AKA On/Off button) You will be able to cycle through several modes. Just soft touch into the next mode. High, Medium, Low, Strobe and SOS.

To Turn OFF the flashlight, press and release the rear trigger switch ALL THE WAY DOWN